

## BRANCH LOCATIONS

### APE CANADA

90048 Yellowhead Trail NW  
Edmonton, Alberta T5B 1G2  
Ph: (780) 474-9888  
(855) 328-9888

### APE BRAZIL

Rodovia Raposo Tavares Km, 22  
Sala 517- Bloco E  
Granja Vianna-Cotia-SP  
Ph: 55 11 97238 9308  
(863) 660-8716

### APE MEXICO

Avenida Periferico Sur 7800,  
Sta. Ma Tequetexpan  
Tlaquepaque, Guadalajara Jalisco,  
Mexico C.P. 45601  
Ph: (786) 991-6875  
Fx: (253) 872-8710

### APE HOLLAND

Ph: +31 (0) 593 54 08 91  
Fx: +31 (0) 593 27 84

### IMECO AUSTRIA

Ph: (43) 1328-9980  
Fx: (43) 1328-9944

### FAE SINGAPORE

Ph: (65) 6863-1633  
Fx: (65) 6863-1455

### APE RUSSIA

Ph: 7-495-603-5345  
Fx: 7-495-603-5345

### APE CHINA

Ph: 011-86-21-5677-1221  
Fx: 011-86-21-3604-0553

### APE CORPORATE

7032 South 196th Street  
Kent, WA 98032  
Ph: (253) 872-0141  
Fx: (253) 872-8710  
(800) 248-8498

### APE WEST COAST

2985 Loomis Road  
Stockton, CA 95205  
Ph: (209) 942-2166  
Fx: (209) 942-2455  
(888) 245-4401

### APE MID-WEST

50 Gerber Industrial Dr  
St. Peters, MO 63379  
Ph: (636) 397-8400  
Fx: (636) 278-4278  
(877) 296-8044

### APE NORTHEAST

401 Hartle Street  
Sayreville, NJ 08872  
Ph: (732) 432-6604  
Fx: (732) 432-6608  
(888) 217-7524

### APE MID-ATLANTIC

500 Newtown Road, #200  
Virginia Beach, VA 23462  
Ph: (757) 518-9740  
Fx: (757) 518-9741  
(866) 399-7500

### APE SOUTHEAST

1345 Industrial Park Rd.  
Mulberry, FL 33860  
Ph: (863) 324-0378  
Fx: (863) 318-9409  
(800) 570-3844

### APE GULF

3975 FM Hwy 1485  
Conroe, TX 77306  
39266 Doyle Drive  
Gonzales, Louisiana 70737  
Ph: (936) 271-1044  
Fx: (936) 271-1046  
(800) 596-2877



# APE HD™ PRESSURE GROUTED PILING

## DEEP FOUNDATION SOLUTIONS



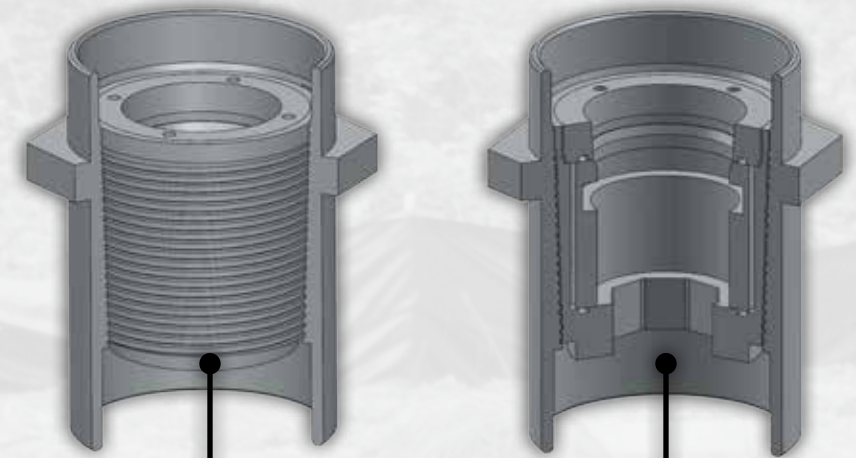
The APE product line is protected by, but not limited to the following patent numbers:  
5088565A, 5117925A, 5263544A, 5529132A, 5544979A, 5609380A, 5653556A,  
5794716A, 6039508A, 6386295B1, 6427402B1, 6431795B2, 6447036B1, 6543966B2,  
6648556B1, 6672805B1, 6732483B1, 6736218B1, 6896448B1, 6908262B1, 6942430B1,  
6988564B2, 7168890B1, 7392855B1, 7694747B1, 7708499B1, 7824132B1, 7854871B1,  
7913771B2, 7950876B2, 7950877B2, 8070391B2, 8181713B2, 8186452B1, 8434969B2,  
8496072B2, 2009020005A1. For a more detailed information and a more comprehensive  
list of APE patents please visit the website at [www.apevibro.com/ver2/APEpatents.asp](http://www.apevibro.com/ver2/APEpatents.asp).

**800-248-8498**  
**WWW.APEVIBRO.COM**



**800-248-8498**  
**WWW.APEVIBRO.COM**





### THREADED COUPLER WITH SOCKET DRIVE TECHNOLOGY

- COUPLERS WITH THE **APE** PATENTED THREAD CONNECTION ELIMINATES MAKE UP PAST THE MIDPOINT
- **ADD UNLIMITED** ADDITIONAL PILE SECTIONS
- **ALL CUT OFF COUPLERS ARE PROPERTY OF APE**

### SHAFT SECTION

- **DOM SEAMLESS API** CASING
- **SHAFT SECTIONS FROM 4 TO 40** FOOT LENGTHS

## GEO-EXCHANGE TECHNOLOGY

- **APE PRESSURE GROUTED DIPLACEMENT PILES** CAN BE USED WITH **APE PATENT PENDING CLSCW** TECHNOLOGY TO HEAT AND COOL STRUCTURES USING THE STEEL PILE FOUNDATION AND A GROUND SOURCE HEAT PUMP

### THREADED ENDS

- **ADD UNLIMITED** ADDITIONAL PILE SECTIONS

### HELICAL PLATES

- **1 HELIX** FOR EACH PILE, OR **MULTIPLE 10" TO 36" O.D.** CLOCKWISE HELICAL PLATES
- **1/2" TO 2.0" THICK**
- **PITCH 4" TO 12"**
- **TENSILE STRENGTHS FROM 50,000 PSI TO 100,000 PSI**

### PILE TIPS

- **VARIOUS OPEN ENDS**
- **VARIOUS CLOSED END DIGGING TIPS**
- **GEO-EXCHANGE DOUBLE-PLATED CLOSED-END**
- **TIPS FOR GROUT INJECTION**

### SHAFT SECTION SPECIFICATIONS

API in lbs / ft	Units	API 13.5	API 23	API 29	API 53	API 60	API 68
Diameter	in	4.5	5.5	7	9.625	11.75	13.375
	mm	114.30	139.70	177.80	244.48	298.45	339.73
Thickness	in	0.290	0.415	0.403	0.472	0.489	0.514
	mm	7.37	10.54	10.24	11.99	12.42	13.06
Inside Diameter	in	3.92	4.67	6.184	8.681	10.772	12.347
	mm	99.57	118.62	157.07	220.5	273.61	313.61
Area (A)	in <sup>2</sup>	3.83	6.63	8.45	13.57	17.30	20.77
	mm <sup>2</sup>	2,471	4,277	5,451	8,756	11,161	13,400
Section Modulus (Z)	in <sup>3</sup>	3.79	7.84	13.16	33.40	46.76	60.51
	mm <sup>3</sup> / 10 <sup>3</sup>	62.18	128.50	215.70	547.50	766.30	991.80
Moment of Inertia (I)	in <sup>4</sup>	8.54	21.57	46.07	160.80	274.70	404.70
	mm <sup>4</sup> / 10 <sup>6</sup>	3.55	8.98	19.18	66.93	114.40	168.50

Yield API L-80 to API P-110 (80,000 to 110,000 psi) - API ISO Certified Manufacturer

### EASY INSTALLATION OF GROUT PLUGS

